

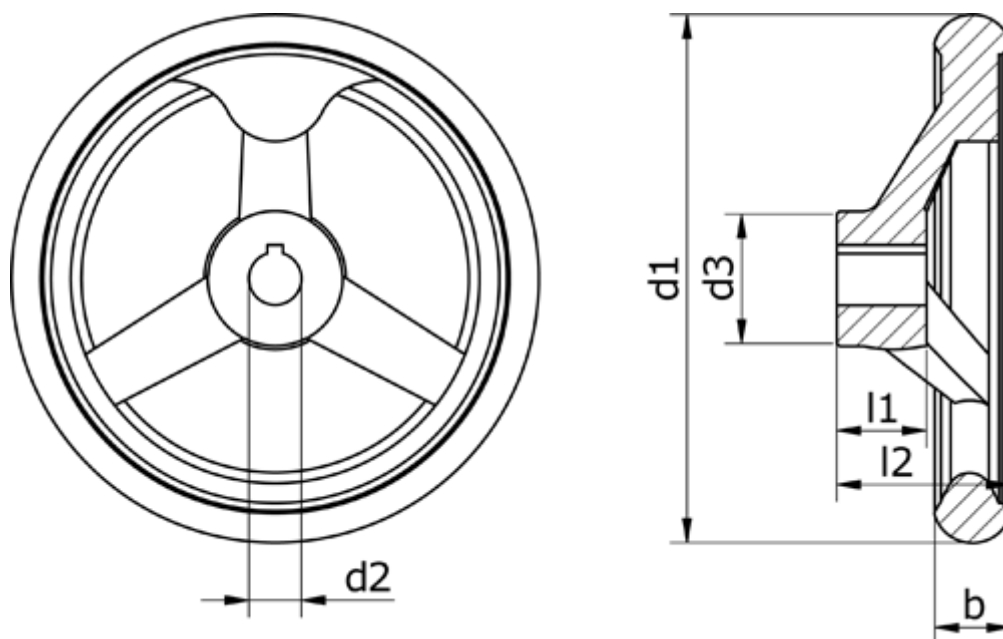
Data Sheet



Article number: 201575299

Description: E+G Handwheel
GN 950.6-125-K12-A

Measures



b1 = 15.8

d1 = 125

d2 = 12

d3 = 27.0

d4 = M8

l1 = 18

l2 = 35.5